

/// Cart/Trolley

Cart-550-E

Stainless Steel Cabinet

- ☆ Heavy Duty
- ☆ Large Storage to hold countertop machines
- ★ Designed to fit All Spaceman Countertop models



Full Stainless Steel Build

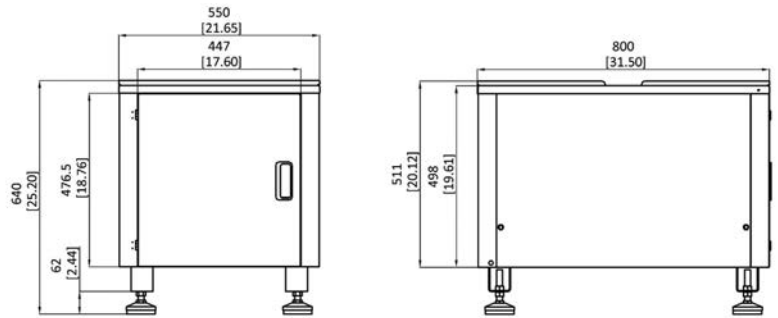
Food grade full stainless steel panels for food service environment; reinforced top panel to support heavy countertop equipment.

Heavy Duty Leveling Feet

Large 3-1/8" diameter rubber base provides friction and vibration isolation for enhanced stability; heavy-duty studs support up to 500kg/1100lb of weight; adjustable height with lock nut allows flexible leveling.

Large Storage Cabinet

Close to 0.2 CBM/ 7 CBF storage space available with full front access through a hinged door with quarter turn door lock.



Specifications

Weight

Kg/lb (Gravity)

Net	36 / 78
Shipping	48 / 105
Volume	0.44 CBM / 15 CBF

Dimensions

Net (mm/in)

Shipping (mm/in)

Width	550 / 22	626 / 25
Depth	800 / 32	876 / 35
Height	640 / 25	800 / 32

*Above specifications are subject to change without notice

★ The Spaceman Difference

QUALITY

Superior Craftsmanship

Designed by Aerospace Engineers

- ✓ Patented Freezing Cylinder
- ✓ Built to last, attention to detail
- ✓ Microcrystal Technology

VALUE

Maximum ROI

Lower Your Cost of Ownership

- ✓ Fair up front cost
- ✓ Lower service and parts costs
- ✓ Lowest energy cost per serving

SERVICE

Best User Experience

Service on Your Terms

- ✓ Dedicated Success Team
- ✗ No binding contracts
- ✗ No locked-in maintenance fees