

/// Cart/Trolley

Cart-550-D

Stainless Steel Cabinet

- ☆ Heavy Duty
- ☆ Large Storage to hold countertop machines
- ★ Designed to fit All Spaceman Countertop models



Full Stainless Steel Build

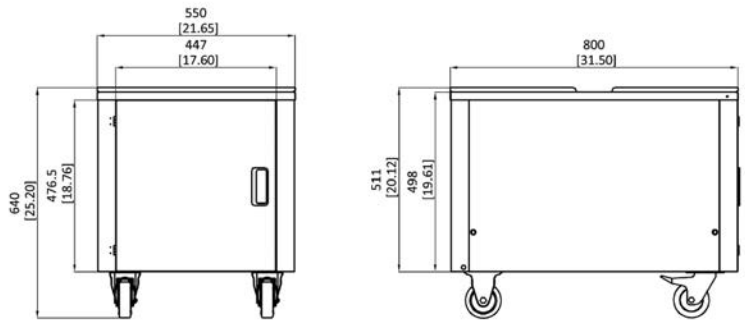
Food grade full stainless steel panels for food service environment; reinforced top panel to support heavy countertop equipment.

Heavy Duty Casters

Heavy duty 4" casters that support up to 405kg/900lbs of weight; front swivel casters allow smooth and flexible maneuver; easy foot locks ensure stability.

Large Storage Cabinet

Close to 0.2 CBM/ 7 CBF storage space available with full front access through a hinged door with quarter turn door lock.



Specifications

Weight

Kg/lb (Gravity)

| | |
|----------|-------------------|
| Net | 36 / 78 |
| Shipping | 48 / 105 |
| Volume | 0.44 CBM / 15 CBF |

Dimensions

Net (mm/in)

Shipping (mm/in)

| | | |
|--------|----------|----------|
| Width | 550 / 22 | 626 / 25 |
| Depth | 800 / 32 | 876 / 35 |
| Height | 640 / 25 | 800 / 32 |

*Above specifications are subject to change without notice

★ The Spaceman Difference

QUALITY

Superior Craftsmanship

Designed by Aerospace Engineers

- ✓ Patented Freezing Cylinder
- ✓ Built to last, attention to detail
- ✓ Microcrystal Technology

VALUE

Maximum ROI

Lower Your Cost of Ownership

- ✓ Fair up front cost
- ✓ Lower service and parts costs
- ✓ Lowest energy cost per serving

SERVICE

Best User Experience

Service on Your Terms

- ✓ Dedicated Success Team
- ✗ No binding contracts
- ✗ No locked-in maintenance fees