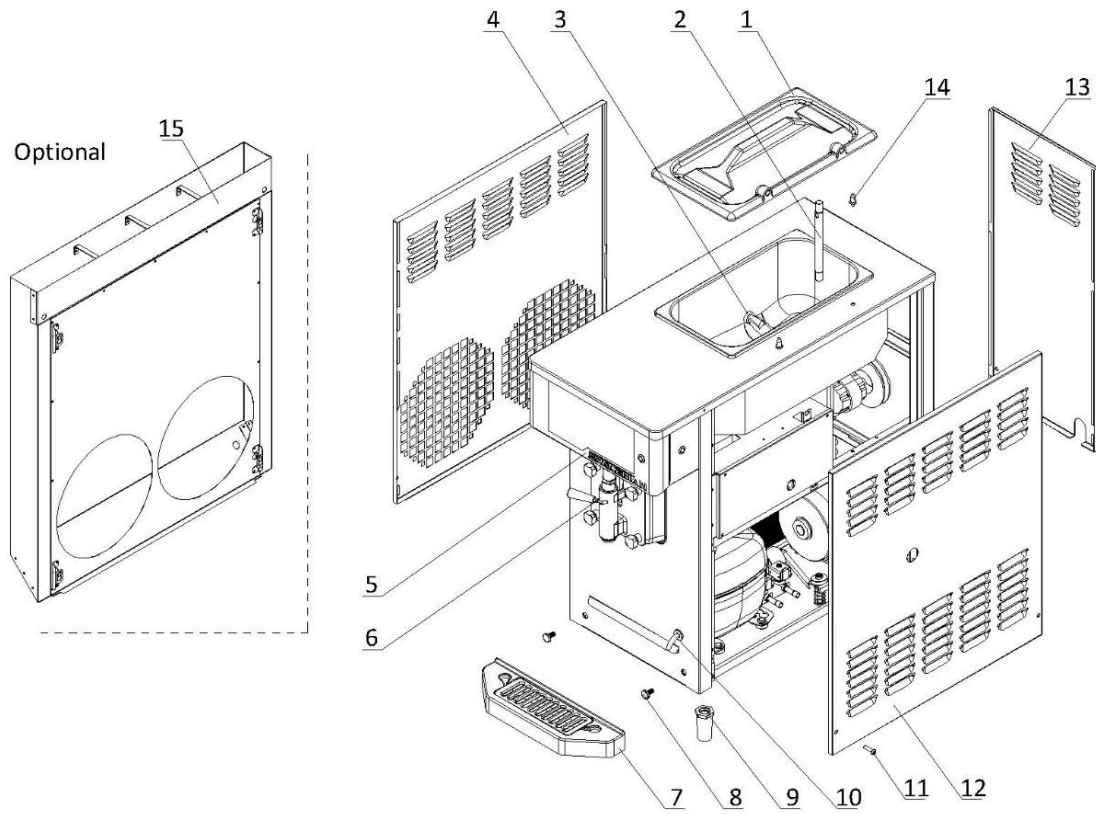


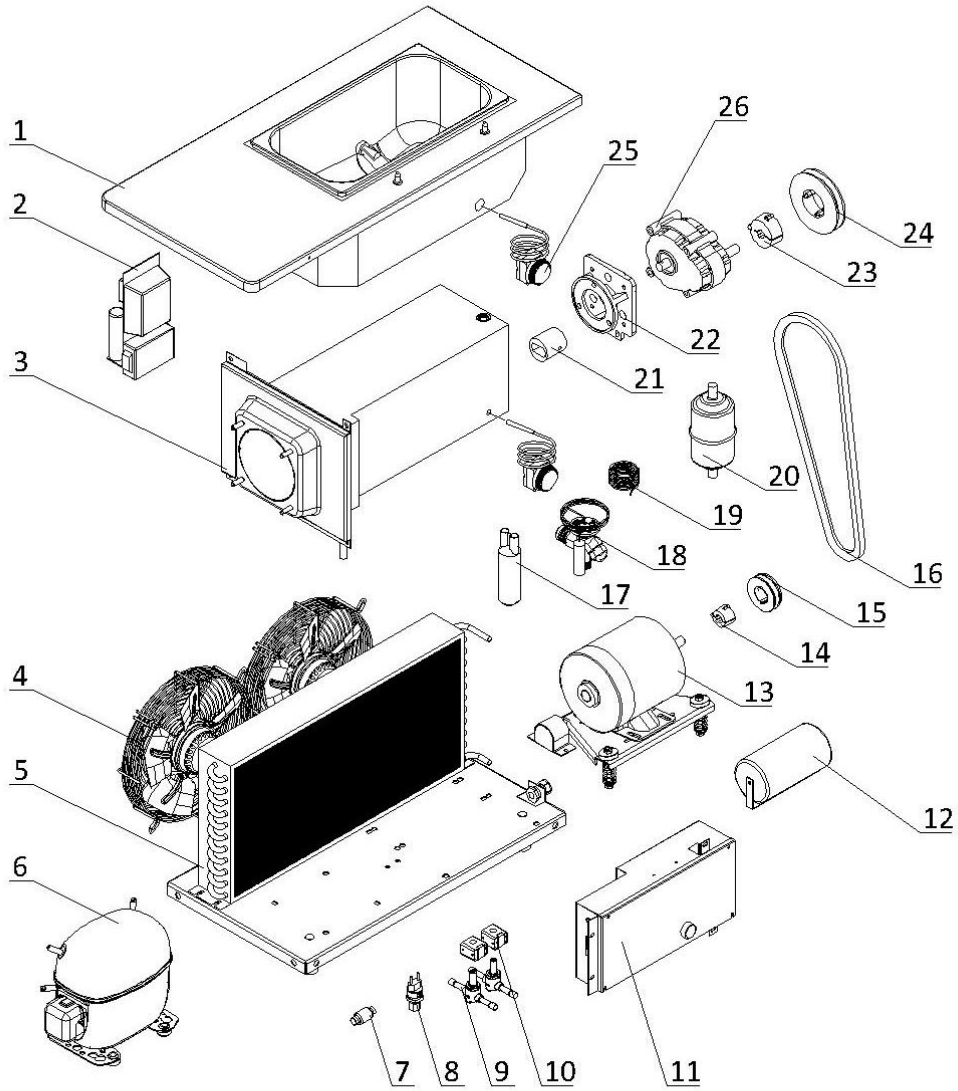
## 1. External Parts



## 1. External Parts

Item	Part Number	Description	Qty.
1	3.4.03.01.004	Hopper Lid - 12-15L	1
2	2.1.3.39.0006	Air Tube - FB	1
3	920.1.04.0002	Mix Low Sensor Assembly	1
4	2.3.4.28.093	Panel - Left - 6650-C R04	1
5	Page 6	Draw Switch and Front Control Panel	1
6	Page 5	Dispensing Door and Beater	1
7	3.6.39.004	Drip Tray Mounting Bolt	2
8	3.4.04.01.018	Front Drip Tray - 6225 V03	1
9	3.3.05.03.005	Leg - 68mm	4
10	2.1.1.20.0124	Drain Nozzle - Front	1
11	3.6.22.030	Screw - M6x25	6
12	2.3.4.30.077	Panel - Right - 6650-C R04	1
13	2.3.4.23.104	Panel - Rear - 6650-C R04	1
14	3.6.39.011	Hopper Lid Holder	2
15	2.3.4.34.014	Air Chute - 6650 (Optional)	1

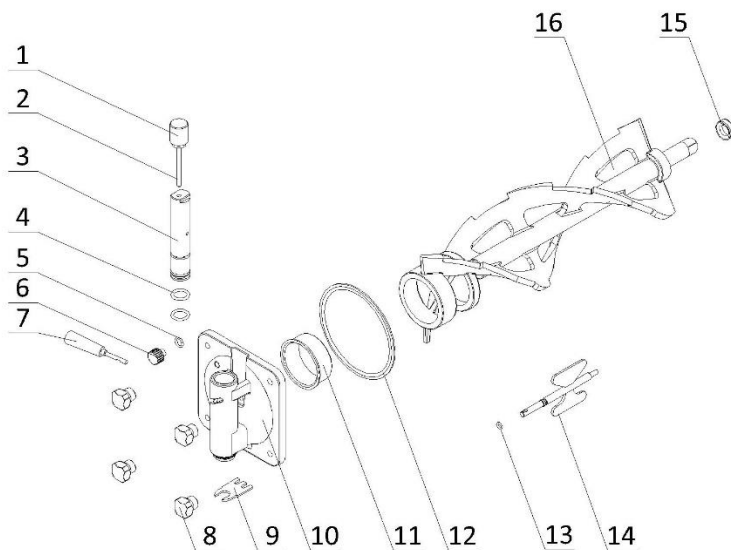
## 2. Internal Parts



## 2. Internal Parts

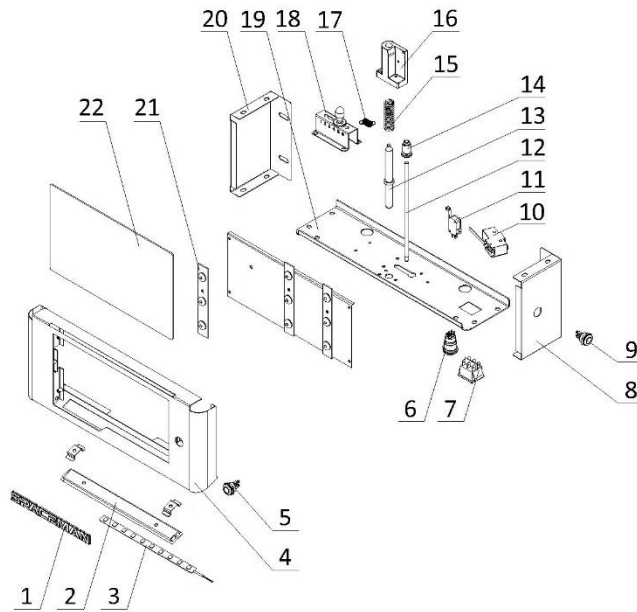
Item	Part Number	Description	Qty.
1	2.1.1.02.0077	Hopper Assembly - 6650-CL R04	1
2	3.2.01.04.014	Start Component - Compressor - SC18CLX.2	1
3	2.1.1.06.0208	Cylinder Assembly - 6650-C R04	1
4	3.2.03.04.004	Fan Motor - 110/60/1 - YWF4E-250S	2
5	3.2.02.01.015	Main Condenser - Single - 6m <sup>2</sup>	1
6	3.2.01.02.028	Primary Compressor - SC18CLX.2 - 60HZ	1
7	3.2.04.05.009	Copper Strainer Filter - $\phi$ 9.52	1
8	3.2.04.06.004	High Pressure Switch - 350~500psi	1
9	3.2.04.04.058	Solenoid Valve Body - KDF6H01	2
10	3.2.04.04.070	Solenoid Coil - FQ-A05120-001098	2
11	Page 7	Electrical Box	1
12	3.1.02.22.008	Capacitor - Start/Running - 250V - 100-120 $\mu$ F	1
13	3.3.01.07.011	Motor - 115/60/1 - 450W - K56AC67F41	1
14	3.3.04.01.002	Bushing - 1008-14	1
15	3.3.04.02.012	Pulley - Beater Motor - SPA63-1-1008	1
16	3.3.03.03.006	Belt - Motor - Beater - V-A762	1
17	3.2.04.07.002	Suction Accumulator - 30x155x10	1
18	3.2.04.01.011	Thermal Expansion Valve - TUB2131	1
19	3.2.05.01.008	Capillary Tube - 2.07x1.07	1
20	3.2.04.05.002	Filter Drier - Cylinder - DML083S	1
21	3.3.02.03.006	Coupling Drive - V3	1
22	2.1.3.15.0004	Bracket - Gear Box - 3.4-7.3qt - 89mm	1
23	3.3.04.01.008	Bushing - 1610-16	1
24	3.3.04.02.006	Pulley - Gear Box - SPA112-1-1610	1
25	3.1.01.07.003	Thermostat - 0-40°C	2
26	3.3.02.01.033	Gear Box - 1:5 - 75*20 Shaft - 89mm	1

### 3. Dispensing Door and Beater



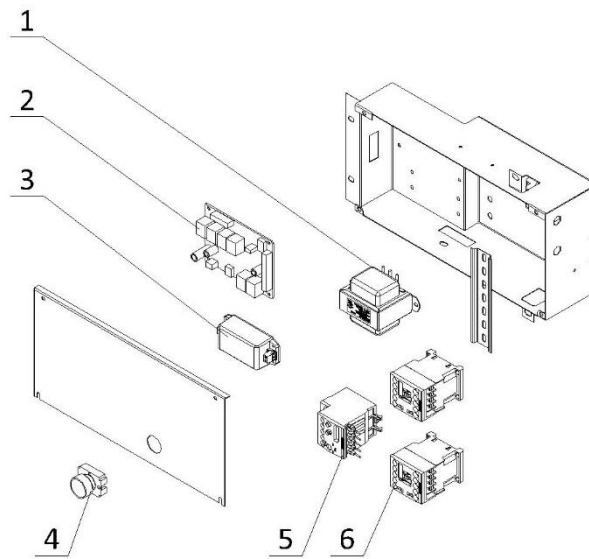
Item	Part Number	Description	Qty.
1	2.1.3.36.0004	Weight - Draw Valve - FB	1
2	2.1.3.36.0003	Pin - Draw Valve - FB	1
3	2.1.3.01.0006	Draw Valve - FB	1
4	3.4.08.01.036	O-Ring - 19x3.55	2
5	3.4.08.01.008	O-Ring - 11.5x2.5	2
6	3.4.07.08.001	Prime Plug - FB	1
7	3.4.05.01.002	Handle - Dispensing - FB	1
8	2.1.3.32.0004	Hand Screw - Dispensing - FB	4
9	2.1.4.04.014	Ice Buster - Dispensing - FB	1
10	2.1.3.14.0006	Dispensing Door - FB	1
11	3.4.01.03.016	Beater Guide - FB - V3	1
12	3.4.08.02.012	Door Gasket - FB V2	1
13	3.4.08.01.017	O-Ring - 11x2.4	1
14	2.1.1.31.0005	Torque Rotor - FB - V3	1
15	3.4.07.05.007	Gasket - Beater - φ35	1
16	2.1.1.25.0019	Beater - FB - 7.3qt - V3	1

## 4. Draw Switch and Front Control Panel



Item	Part Number	Description	Qty.
1	3.1.06.09.003	Emblem - SPACEMAN - 170x16	1
2	3.6.42.005	Bracket - LED Light Strip - 1707A - 231	1
3	3.1.02.14.020	LED Light Strip - STH-2835W-120D-12V-12W - 6000K	1
4	2.1.1.20.0149	Panel - Overhead Front - 6650-CL R04	1
5	3.1.02.14.014	RGB Light - YM16/ZST/12V/3S+	1
6	3.1.03.04.039	Switch - Button - Standby - QN19-C7	1
7	3.1.03.03.009	Power Switch - RK1-01 2X3	1
8	2.3.4.37.070	Panel - Overhead Right - 6455-CL R04	1
9	3.1.03.04.046	Reset Button - Inverter	1
10	3.1.03.02.002	Micro Switch - Torque Lever	1
11	3.1.03.01.002	Micro Switch - KW-7-2	1
12	2.1.4.04.025	Torque Arm - 185mm	1
13	2.1.3.50.0088	Shaft - Draw Switch - FB - 120.3mm	1
14	2.1.4.04.024	Bracket - Spring - 6690-C	1
15	3.6.03.012	Spring - Shaft - Draw Switch	1
16	3.4.07.06.008	Bracket - Micro Switch & Shaft & Spring	1
17	3.6.02.005	Spring - Viscosity 0.7mm	1
18	2.3.4.45.198	Bracket - Viscosity Adjustment_6690-C	1
19	2.3.4.39.100	Panel - Overhead Bottom - 6650-CL R04	1
20	2.3.4.37.069	Panel - Overhead Left - 6650-CL R04	1
21	3.1.02.14.025	LED Light Bar - STH-B12T130W3B170 - 6500K - 12V	3
22	3.4.07.10.005	Flavor Panel - 264x160	1

## 5. Electrical Box



Item	Part Number	Description	Qty.
1	3.1.01.04.007	Transformer - 50W - 50313MW-32	1
2	2.2.1.01.0051	Control Board - 430 - F5	1
3	3.1.01.05.034	Power Supply - MPM-30-12ST	1
4	3.1.03.04.032	Reset Button - Thermal Overload-6650	1
5	3.1.01.02.012	Thermal Overload Relay - 3RU6116-1HB0	1
6	3.1.01.01.011	Contactor - 3RT6017-1AF01	2